

FlexCell™

Electrochemical flow cell

User manual

102.0010A, Edition 12, 2025



Copyright ©2025, Antec Scientific, The Netherlands. Contents of this publication may not be reproduced in any form or by any means (including electronic storage and retrieval or translation into a foreign language) without prior agreement and written consent from the copyright of the owner. Information in this publication is subject to change and does not represent a commitment on the part of Antec Scientific. Antec Scientific reserves the right to make changes to the design and specifications of the instrument and the contents of this manual without prior notice.

ROXY, ALEXYS, DECADE, DECADE II, DECADE Elite, DECADE Lite, INTRO, FlexCell, ReactorCell, ISAAC, HyREF, SenCell and SynthesisCell are trademarks of Antec Scientific. Whatman™ (word and device) and Whatman™ (word only) are trademarks of Whatman International Ltd. SOLVENT IFD™ and AQUEOUS IFD™ are trademarks of Arbor Technologies, Inc. Clarity®, DataApex® are trademarks of DataApex Ltd. Microsoft® and Windows™ are trademarks of Microsoft Corporation. Excel is a registered trademark of the Microsoft Corporation. All other trademarks are the property of their respective owners.

The software and the information provided herein is believed to be reliable. Antec Scientific shall not be liable for errors contained herein or for incidental or consequential damages in connection with the furnishing, performance, or use of this software or this manual. All use of the software shall be entirely at the user's own risk.

Symbols

The following symbols are used in this guide:



The warning sign denotes a hazard. It calls attention to a procedure or practice which, if not adhered to, could result in severe injury or damage or destruction of parts or all of the equipment. Do not proceed beyond a warning sign until the indicated conditions are fully understood and met.



The caution sign denotes a hazard. It calls attention to a procedure or practice which, if not adhered to, could result in damage or destruction of parts or all of the equipment and/or erratic results. Do not proceed beyond a cautions sign until the indicated conditions are fully understood and met.



The biohazard sign draws attention to the fact that use of biological materials, viral samples may carry a significant health risk.



The toxic hazard sign draws attention to the fact that use of toxic solvents or samples may carry a significant health risk.



The attention sign signals relevant information. Read this information, as it might be helpful.



The note sign signals additional information. It provides advice or a suggestion that may support you in using the equipment.

Intended use

The FlexCell is used in combination with an Antec Scientific Electrochemical Detector (for example DECADE, INTRO, DECADE II or DECADE Elite/Lite in (Ultra) High Performance Liquid Chromatography for the electrochemical detection of suitable analytes in liquid samples. (U)HPLC is a method for separating substance mixtures, determining substances and measuring their concentration.

Electrochemical detection is a specific measuring technique to quantify electroactive substances in a sample solution. This technique can be used for the chromatographic analysis of a wide range of electroactive analytes in the fields of for example:

- Biochemistry/bioanalytical analyses
- Chiral analyses
- Food analyses
- Environmental analyses
- Clinical analyses (research purpose only)



For research purposes only. While clinical applications may be shown, this instrument is not tested by the manufacturer to comply with the In Vitro Diagnostics Directive.

Operation of the flow cell may involve the use of hazardous materials including corrosive, toxic or flammable liquids. The flow cell should only be used by end-users with the following expertise:

- Completed degree as chemical laboratory technician or comparable vocational training
- Fundamental knowledge of liquid chromatography
- Participation in an installation of the system performed by the manufacturer or a company authorized by the manufacturer and suitable training on the system and chromatography software.
- Knowledge and experience in the safe handling of toxic and corrosive chemicals and knowledge of the application of fire prevention measures prescribed for laboratories.

Information on safety practices is provided in the user manual and/or quick start guides. Before using your flow cell or accessories, you must thoroughly read the manual and safety practices. This manual is written for trained laboratory technicians who use the flow cell in combination with an electrochemical detector for (U)HPLC analysis.



Unskilled, improper, or careless use of this products can create hazards which could result in personal injury, death or severe damage to equipment and property. Observe all relevant safety practices at all times. Only use the device for applications that fall within the scope of the specified intended use.

WEEE directive

All equipment of Antec Scientific which are subjected to the WEEE directive shipped after August 13, 2005 are compliant with the WEEE marking requirements. Such products are labelled with the “crossed out wheelie”, depicted on the left side.



The symbol on the product indicates that the product must not be disposed as unsorted municipality waste.

Collection & recycling information

Please ship the instrument back to the manufacturer (Antec Scientific, the Netherlands) at the end-of-life time of the product. The manufacturer will take care of the proper disposal and recycling of the instrument at its facilities.

Shipping address for the end-of-life products:

Antec Scientific
Horn 131
2404 HH Alphen a/d Rijn
The Netherlands

In case of questions, or if further information is required about the collection & recycling procedure, please contact your local distributor.

Safety instructions

Adhere to the following guidelines when using the electrochemical flow cell. These safety practices are intended to ensure safe operation.



This hardware should be used by trained laboratory personnel only with a completed degree as chemical laboratory technician or comparable vocational training. The operator should have fundamental knowledge of liquid chromatography.

Use proper eye and skin protection when working with solvents. Additional safety requirements or protection may be necessary depending on the chemicals used in combination with this equipment. Make sure that you understand the hazards associated with the chemicals used and take appropriate measures with regards to safety and protection.

Working environment & safety

The intended use of the flow cell is to detect electroactive substances in liquid samples in combination with a (U) HPLC-ECD system in a laboratory environment. Operators using the system should have the appropriate education an extensive understanding of (U)HPLC and electrochemical detection and be skilled in the art.



Using the flow cell in other ways than indicated in the manual or defined by good laboratory practice may result in erratic or unsafe operation.

Operation

To assure optimal performance of the flow cell we recommend that the cell is checked regularly and maintenance procedures are carried out. Preventive maintenance contracts and a factory cell refurbish service are available for that Purpose. Please contact your local dealer for more information.

Solvents



The solvents used may be flammable, toxic or corrosive. The room in which the flow cell and system is installed should be well ventilated to prevent solvent vapors cause poisoning or ignite and cause a fire. Use of open fire in the vicinity of this flow cell and system must be strictly prohibited. Do not install the flow cell and system in the same room with any other equipment that emits or could potentially emit sparks. Provide protective equipment near the instrument, when solvent gets into the eyes or on the skin, it must be

flushed away immediately. Provide equipment, such as eyewash stations and safety showers, as close to the system as possible.

Use proper eye and skin protection when working with solvents. Additional safety requirements or protection may be necessary depending on the chemicals used in combination with this equipment. Make sure that you understand the hazards associated with the chemicals used and take appropriate measures with regards to safety and protection.

Sample containers (vials) should be sealed to minimize any risks related to solvent vapor.



Biological Hazard

When you analyze biological fluids, you need possible precautions and treat all specimens as potentially infectious. Always wear protective clothing and gloves when handling toxic or biologically infectious samples to prevent biohazards or hazards while working with the flow cell. If necessary, the flow cell must be decontaminated before decommissioning or shipment of the cell for repair to Antec Scientific or its representatives. When shipped to Antec Scientific every cell has to be accompanied with a decontamination form which should be completely filled in and signed by the customer. Without this decontamination form the flow cell will not be processed by Antec Scientific (either repaired or disposed).



Waste disposal

Perform periodic leak checks on LC tubing and connections. Do not close or block the drain in the oven compartment. Do not allow flammable and/or toxic solvents to accumulate. Follow a regulated, approved waste disposal program. Never dispose of flammable and/or toxic solvents through the municipal sewage system.



Applications: quality control

It is recommended that you routinely run several quality control samples. Quality control samples should represent low, average and high levels of a compound. Make sure that quality control sample results are within an acceptable range and evaluate precision from day to day and run to run. Data collected when quality control samples are out of range may not be valid. Do not report this data until you are certain that the system performance is acceptable. Apart from the use of quality control samples, we recommend that you use blanks. The blanks will help you assess whether carry-over is within an acceptable range and monitor the integrity of your data.

Laboratory regulations



Observe national and international regulations pertaining to laboratory work!
For example:

- Good Laboratory Practice (GLP) of the American Food & Drug Administration
- For development of methods and validation of devices: Protocol for the Adoption of Analytical Methods in the Clinical Chemistry Laboratory, American Journal of Medical Technology, 44, 1, pages 30–37 (1978)
- Accident prevention regulations published by the accident insurance companies for laboratory work.

Spare parts and service availability

Manufacturer provides operational spare parts of the instrument and current accessories for a period of five years after shipment of the final production run of the instrument. Spare parts will be available after this five years period on an 'as available' basis.

Manufacturer provides a variety of services to support her customers after warranty expiration. Repair service can be provided on a time and material basis. Contact your local supplier for servicing. Technical support and training can be provided by qualified chemists on both contractual or as-needed basis.

Table of contents

Symbols.....	1
Safety instructions.....	4
Spare parts and service availability	6
Table of contents.....	7
CHAPTER 1.....	8
The electrochemical flow cell.....	8
Introduction.....	8
The three-electrode configuration	9
Requirements and limitations.....	10
Working electrodes	11
Reference electrode: HyREF™	12
Reference electrode: salt bridge Ag/AgCl.....	14
Reference electrode: ISAAC™	15
CHAPTER 2.....	17
General precautions.....	17
CHAPTER 3.....	18
Installation	18
Connecting a FlexCell to an LC system.....	18
CHAPTER 4.....	20
Maintenance	20
Disassembly of the flow cell.....	20
Working electrode cleaning.....	22
Polishing a working electrode	22
Flattening a metal working electrode	23
HyREF & ISAAC reference electrodes	23
Salt bridge Ag/AgCl reference electrode	23
Salt bridge Ag/AgCl reference electrode check.....	24
Refilling a salt bridge Ag/AgCl reference electrode	25
Refritting a salt bridge Ag/AgCl reference electrode	26
Assembly of the flow cell.....	27
Storage	28
CHAPTER 5.....	29
Specifications.....	29
CHAPTER 6.....	30
Part list	30

CHAPTER 1

The electrochemical flow cell

Introduction

The FlexCell™ (Fig. 1) has been developed for analysis in standard and microbore LC-EC with an effective volume of only 0.5 μL . A range of different working electrode materials are available for the FlexCell and they are easily exchangeable, offering maximum flexibility for running various applications. Also, in applications where the working electrode material is electrochemically 'consumed' the option for an easy exchange is advantageous. Exchanging the working electrode only takes a minute.

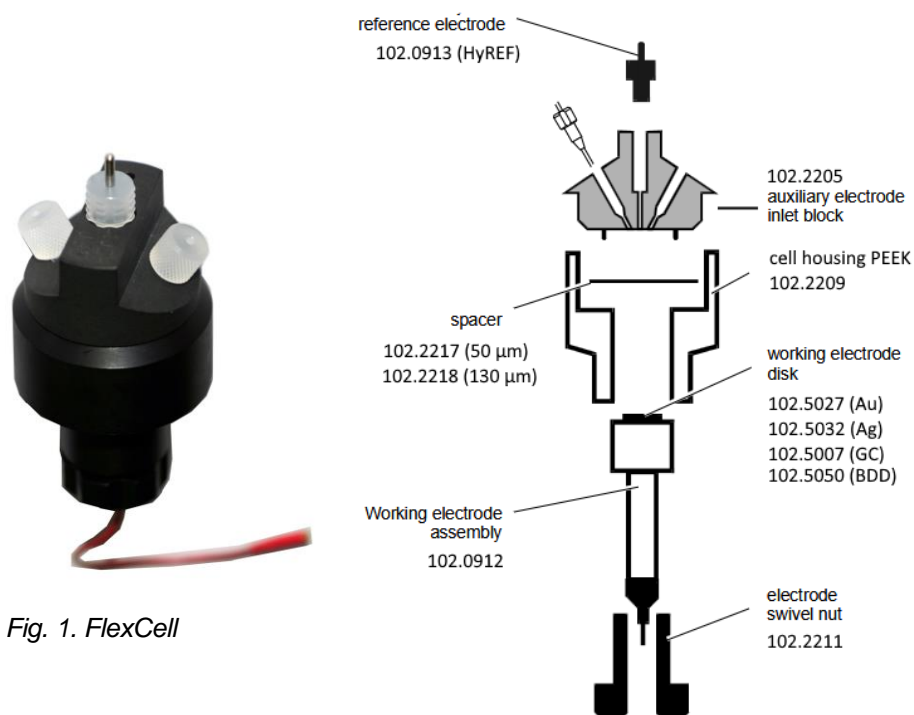


Fig. 1. FlexCell

The three-electrode configuration

In the FlexCell a three-electrode configuration is used (Fig. 2). The working potential is set between the working electrode (WE) and the auxiliary electrode (AUX). The auxiliary electrode is kept at the same precisely defined potential as the reference electrode (REF) by means of the so-called voltage clamp. This is an electronic feedback circuit that compensates for polarization effects at the electrodes. At the working electrode, which is kept at virtual ground, the electrochemical reaction takes place, i.e. electrons are transferred at the working electrode. This results in an electrical current to the I/E converter, which is a special type of operational amplifier. The output voltage can be processed by an integrator, recorder or AD converter to generate the chromatogram.

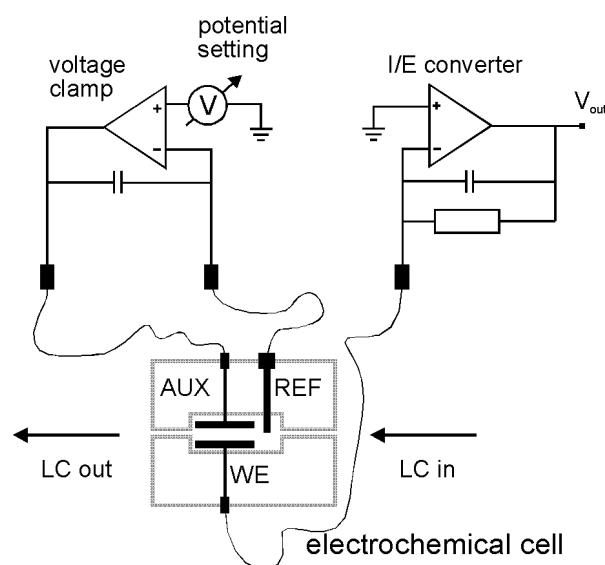


Fig. 2. Schematic representation of an electrochemical cell with a three-electrode configuration.

Essentially, for the oxidation or reduction reaction it would be sufficient to use only two electrodes. However, the three-electrode configuration has several advantages over a two-electrode configuration:

- If the working potential would be applied only over an auxiliary electrode versus the working electrode (without reference electrode), the working potential would continuously change due to polarization

effects at the electrodes, resulting in highly unstable working conditions.

- If the working potential would be applied only over the reference electrode versus the working electrode (without auxiliary electrode), the working potential would be very well defined. However, the potential of a reference electrode is only well defined if the current drawn is extremely low (pico-amperes) resulting in a very limited dynamic range.

A three-electrode configuration combines the best of both configurations. The reference electrode stabilizes the working potential and the auxiliary electrode can supply high currents. This results in the tremendous dynamic range of a three-electrode system.

Requirements and limitations

Ions in running solution

For the three-electrode configuration to work, the solution inside the flow cell should have a low electrical resistance. This is secured by running solution through the flow cell containing at least 10 mM ions.



The solution running through the flow cell should have an ionic strength of at least 10 mM when the cell is ON.

Either the mobile phase contain the ions (usually the pH buffer) or the ions have to be added in a post-column set-up. The absence of ions in the solution running through the flow cell results in a destabilization of the feedback loop and potential damage to the electrodes. When the flow is not yet filled (air has high electrical resistance), or solutions without ions are being flushed through, the cell should be OFF or taken out of the system.

Organics in running solution

The effective volume of the cell is defined by the working electrode pressing on the inlet block with a spacer in between. Running solutions through the flow cell that contain more than 50% organic solvents increases the occurrence of leakage: the organic solvent makes the solution creep under the spacer. For such applications, a different cell design is better suited.

Working electrodes

Various useful materials

The surface of the working electrode is where the electrochemical reaction takes place. This puts specific demands on the working electrode material. It should be made of an (electro-)chemically inert material, it should have a very well defined and flat surface, and it should have favorable I/E characteristics for the analyte of interest. Ideally, a high signal is obtained at a low working potential as noise levels increase with potential.

For the FlexCell, different working electrode materials are available: glassy carbon, gold, silver, platinum, Boron Doped Diamond (BDD), and copper. Some components are best detected on specific materials. For example, the analysis of iodide is best done on a silver working electrode. This reaction already occurs at a very low working potential (1 mV !), which results in an extremely high selectivity. This allows the determination of iodide in urine samples with virtually no sample pre-treatment.

Applications

The typical application for specific working electrode materials is given in Table I. Different materials also have different working potential limits: at high positive working potentials, the water in the mobile phase electrolysis and results in a strong increase of the background current and noise. At negative potentials, the use of platinum electrodes is strongly limited by the specific ease of reducing hydrogen ions to hydrogen gas. For metal electrodes, the formation of metal oxides is a limiting factor for running oxidative measurements.

Table I. Some features of different working electrode (WE) materials.

WE material	Limits of working potential vs. Ag/AgCl (V)				Application example
	alkaline		acidic		
Glassy carbon	-1.50	+0.60	-0.80	+1.30	catecholamines
Gold	-1.25	+0.75	-0.35	+1.10	Carbohydrates, thiols
BDD			-1.00	+2.00	iodide, disulfides, phenols
Platinum	-0.90	+0.65	-0.20	+1.30	alcohols, glycols
Silver	-1.20	+0.10	-0.55	+0.40	halides, cyanide
Copper	-	+0.20	-	+0.60	amino acids, carbohydrates

Boron Doped Diamond (BDD) electrodes

Boron Doped Diamond (BDD) is the most recent addition to the list of available FlexCell working electrode disks. The BDD electrode consists of an ultra-thin film of boron doped diamond material deposited on a Si-wafer. The electrode is anodized and has the property to detect oxidized components at 1.5- 2 V that would otherwise need a reductive step before detection under oxidative conditions. Other special properties of BDD electrodes are inertness and excellent response stability that make it well suited to detect phenols where electrode fouling is an issue when glassy carbon would be used.

Chemical compatibility: the BDD electrode operational lifetime is strongly reduced when exposed to fluorinated acids, such as tri-fluoroacetic acid. Even at relatively low concentrations (2% in aqueous solution) significant damage of the diamond electrode was seen within days of operation.

Reference electrode: HyREF™

The most commonly applied reference electrode for a FlexCell is the maintenance-free HyREF. This reference electrode is most suitable for use with high concentrations (>20%) of organic modifier in the mobile phase or when running alkaline mobile phase. An important characteristic of the HyREF is the pH dependence of the reference potential.



It is important to realize that if the pH of the mobile phase is changed, the optimum working potential also changes. In such a case it is advisable to construct a hydrodynamic voltammogram to find the new optimum.

HyREF has a pH dependent reference potential

When comparing the reference potential of a HyREF with a salt bridge (Ag/AgCl), a pH dependent difference can be observed (Fig 3.). Therefore, it is important to make sure to work with a well buffered mobile phase when using the HyREF. Otherwise, the reference potential will not be a fixed value.

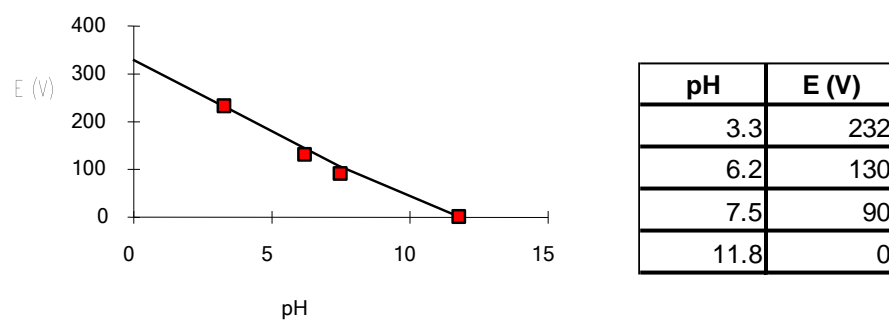


Fig. 3. Difference in reference potential when comparing HyREF with salt bridge Ag/AgCl REF at different mobile phase pH.

Reference electrode: salt bridge Ag/AgCl

The salt bridge Ag/AgCl reference electrode consists of a small container, with a solid AgCl coated silver rod immersed in a solution of saturated KCl (Fig. 4). This type of reference electrode needs regular maintenance. Electrical contact with the other two electrodes in the flow cell is made through a wetted cotton wool frit (the salt bridge), which is electrically conducting and slows down the leakage of KCl

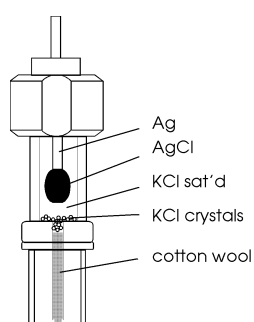


Fig. 4. Schematic representation of the salt bridge Ag/AgCl reference electrode.

Three aspects determine the proper function of an Ag/AgCl reference electrode.

1. The chloride concentration must be kept at a strictly fixed level. This is best guaranteed by using a saturated chloride salt solution at a constant temperature.
2. Absence of air bubbles inside or close to the salt bridge give the best stability of the three-electrode configuration.
3. The salt bridge must allow proper electrical contact with the mobile phase.

For certain applications, another chloride salt is to be preferred:

- In case of *perchlorate containing mobile phases*, NaCl instead of KCl is to be used, as potassium perchlorate will precipitate and clog the cotton wool frit.
- At *high levels of organic modifier in the mobile phase*, the chamber must be filled with lithium chloride solution instead of KCl to prevent precipitation at the interface.

Reference electrode: ISAAC™

The In Situ Ag/AgCl (ISAAC) reference electrode is the low-maintenance version of the Ag/AgCl salt bridge reference electrode.

The potential of an ISAAC is defined by the concentration of chloride ions in the mobile phase. Therefore, every new batch of mobile phase should be prepared with **the same concentration** of chloride ions (typically 2 mM) to get reproducible results.



It is important to add a fixed concentration of chloride ions to the mobile phase when using the ISAAC as a reference electrode. Without chloride ions in the mobile phase, the ISAAC gives erratic results.

ISAAC has a chloride dependent reference potential

When comparing the reference potential of an ISAAC with a salt bridge (Ag/AgCl), a chloride dependent difference can be observed (Table II). For example, the difference in reference potential between the salt bridge Ag/AgCl reference electrode with saturated KCl, and the ISAAC with 2 mM chloride ions in the mobile phase is 189 mV.

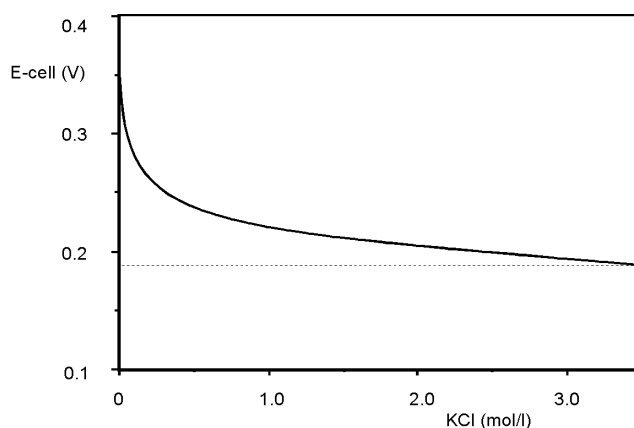


Fig. 5. The Ag/AgCl reference potential is dependent of the chloride concentration. The relationship between potential and other chloride concentrations is described with the equation $E_{\text{cell}} = E^{\circ}_{\text{AgCl}} - (RT/F) \ln [Cl^-]$ where R is the gas constant ($8.314 \text{ J}\cdot\text{mol}^{-1}\text{K}^{-1}$), T is the absolute temperature (293 K) and F is the Faraday constant (96485 C/mol). The E°_{AgCl} (in 1.0 mol/l Cl^- solution) for the half-reaction $\text{AgCl}(s) + e^- \rightleftharpoons \text{Ag}(s) + Cl^-$ is 0.222 V.

Table II. Potential of the Ag/AgCl reference electrode. A salt bridge Ag/AgCl reference is loaded with saturated KCl and the ISAAC is in contact with the concentration of chloride added to the mobile phase. dE is the potential difference compared to $E_{\text{Ag/AgCl}}$ in saturated KCl (3500 mM Cl⁻).

Cl ⁻ (mmol/l)	E Ag/AgCl (mV)	dE (mV)
3500	190	0
2500	199	8
1500	212	21
500	240	49
100	280	90
20	321	130
10	338	148
8	344	154
6	351	161
4	361	171
2	379	189
1	396	206
0.5	414	224

Restriction for using the ISAAC

A high working potential (> 1.2 V vs. Ag/AgCl in 2 mmol/l KCl) will oxidize Cl⁻, which then contributes to the background current and noise.

In *ion chromatography* the addition of Cl⁻ may lead to undesired chromatographic changes.

When using a *silver working electrode*, the addition of Cl⁻ to the mobile phase will cause formation of an AgCl coating on the working electrode, leading to inactivation.

At *high pH* or *high modifier concentrations* the HyREF is more suitable.

CHAPTER 2

General precautions

1. The flow cell is assembled properly when it arrives. Make sure that all marked items on the checklist are included.
2. Always make sure that the surfaces of the spacer and working electrode are dry and free from particulate matter before assembling the cell.
3. Clean fingerprints from spacer and electrode surfaces with a soft tissue soaked in acetone or methanol. If the auxiliary electrode needs to be cleaned, do not apply force to prevent damaging the electrode surface.
4. Except for BDD electrodes, make sure that the working electrode has a mirror-like appearance before installation.



The BDD electrode has a thin crystalline blue/greyish surface. This electrode should not be polished. Polishing this electrode will damage the active surface and lead to loss of performance.

5. If the flow cell is not in use and removed from the LC system, we recommend that you disassemble the cell and clean all surfaces.



The construction of the FlexCell is such that both ports can be used as in- or outlet.



Never switch on the flow cell if:

- the (black, red and blue) cell cable is not correctly connected
- the cell is only partly (or not at all) filled with mobile phase
- the cell is filled with solutions that do not contain electrolytes as damage to the working electrode or the electronics may occur.



The ISAAC reference electrode requires the presence of 2 mM chloride ions (KCl or NaCl) in the mobile phase. Add and equilibrate before installation.



Use proper eye and skin protection when working with solvents.

CHAPTER 3

Installation

The maximum detection stability is attained when not only the flow cell, but also the HPLC column is incorporated in the detector oven. The detector has an integrated Faraday cage and an accurate temperature-controlled oven compartment ensuring stable working conditions. Installing the flow cell and column within such a controlled environment is the minimum requirement for high-quality LC-EC trace analyses.

Connecting a FlexCell to an LC system

1. Install a suitable length of sharply cut 1/16" OD PEEK tubing to the column outlet. Choose a tubing ID that matches the column ID:
 - 0.25 mm ID for working with 3-5 mm ID bore columns
 - 0.13 mm ID for working with 2 mm ID bore columns
 - 64 μ m ID for 1 mm ID bore columns
2. Keep some tissues close by as you probably will spill some mobile phase during the mounting procedure. Remove the reference electrode from the inlet block (Fig. 1).
3. With the mobile phase running from the column, connect the column outlet to the flow cell inlet, using one of the supplied connectors and tighten it carefully. Over-tightening affects the flow through the tubing (turbulence) and decreases the flow cell performance.



Use only our factory-supplied finger tight connectors at the flow cell; other connectors may cause serious damage!

4. Install a suitable length of sharply cut 0.5 mm ID PEEK tubing to the flow cell outlet.
5. *In case of a salt bridge reference electrode*, first make sure it is ready for use:
Remove the salt bridge storage cap and tighten the black swivel a little bit extra, which should result in a small droplet appearing from the frit. This droplet indicates that the frit is not dried out or clogged. Leave the droplet on the tip when inserting it into the reference chamber, as it ensures proper contact of the REF with the mobile phase.



When using a salt bridge reference electrode, inspect it visually before installation:

- no air bubbles trapped in the body
- visual presence of salt crystals in the body
- the cotton tip looks white and wet

Apply maintenance if necessary (see next chapter).

6. Close the outlet tubing (by finger) and force the running mobile phase into the reference electrode reservoir. When an additional post-column NaOH pump is used, make sure to have both pumps on so that the column effluent is well mixed with the NaOH solution before entering the cell.
7. If air bubbles are visibly stuck in the reference reservoir, remove them with a plastic pipette.
8. Install the reference electrode in the reservoir (without trapping bubbles).
9. Place the cell under an angle of 45° in the detector oven compartment with the outlet higher than the inlet port and connect the cell cable as illustrated in Fig. 6.

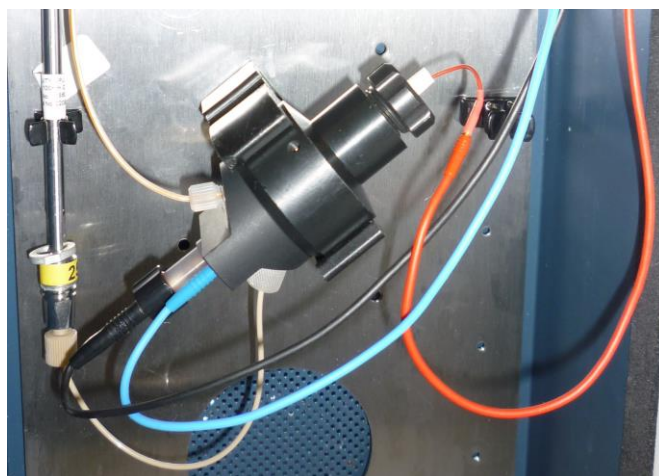


Fig. 6. Flow cell with cell cable connected. WORK, AUX and REF electrodes are respectively connected using the red, blue and black lead of the cell cable.

CHAPTER 4

Maintenance

Maintenance of the working electrode is necessary if the electrode surface has been electrochemically changed. This may be due to fouling by oxidation (reduction) reaction products. Excessively high currents also may change the electrode surface. This is noticed by a strongly decreased sensitivity after prolonged use.

Except for the salt bridge type, the reference electrodes are maintenance-free.

Metal working electrodes need a regular polishing/flattening step to maintain their responsiveness level.

If the FlexCell needs maintenance, the cell has to be disassembled.



Before disassembling the flow cell, read the General Precautions.

Disassembly of the flow cell

1. Switch the flow cell off, set the flow rate to zero, and take the FlexCell out of the system after disconnecting both finger-tight connectors from the cell.
2. Unscrew the electrode swivel nut and pull the working electrode assembly out of the cell.
3. Remove the retaining ring.



It is important to remove the working electrode assembly before removing the retaining ring. Disassembling the FlexCell in the wrong order will damage the spacer.

4. Carefully remove the working electrode from the WE assembly (Fig. 7).
5. Clean and dry the spacer and the contact surface of the AUX block.
6. Remove the reference electrode. In case of a salt bridge reference electrode cap it to prevent drying of the frit.

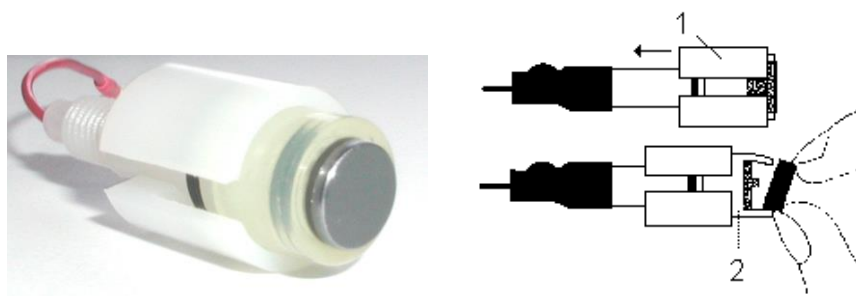


Fig. 7. Electrode assembly with a BDD WE. The working electrode is fitted on the electrode shaft with electrode retaining ring (1) and held in place by a silicon electrode holder (2).

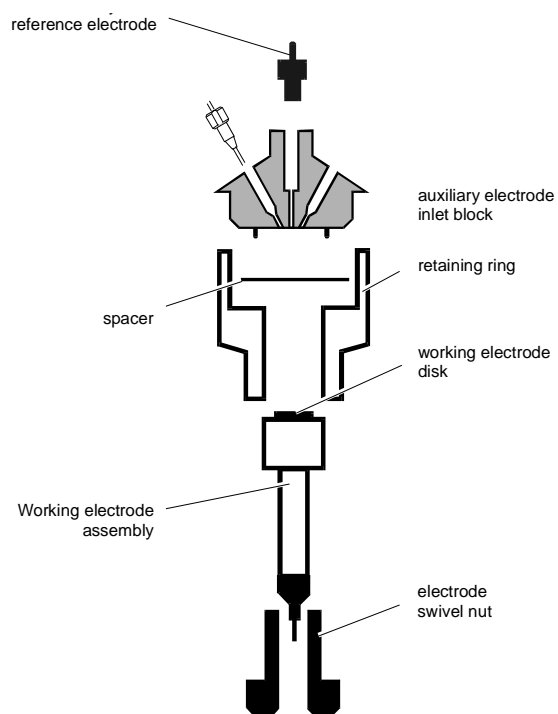


Fig. 8. Exploded diagram of a FlexCell.

Working electrode cleaning

A typical reason to apply maintenance to the working electrode is when the flow cell performance decreases. In most cases, a simple cleaning is sufficient to remove the chemical deposition that is causing the problem:

1. Wipe the electrode surface with a tissue wetted with water
2. Wipe the electrode surface with a tissue wetted with acetone

This is the only procedure that is allowed on BDD electrodes.



The polishing procedure is for metal and glassy carbon working electrodes only. Do not polish BDD electrodes, as it will lead to damage of the thin reactive electrode surface layer and a loss of performance.

If cleaning doesn't restore the responsiveness, a polishing step can be applied to non-BDD electrodes. BDD electrodes will have to be replaced in such case.

Polishing a working electrode

1. Shake the container with diamond slurry thoroughly before use
2. Rinse the polishing disc with demi water
3. Apply a small amount of slurry on the wetted polishing disc. One drop is usually sufficient.
4. Place the working electrode face down on the polishing disc, and polish the electrode with a 'figure 8' motion for about one minute. Apply only gentle pressure with one finger.
5. Clean the electrode with demineralized water, and wipe it dry with an acetone-wetted tissue. Check the surface visually and repeat the procedure if necessary.
6. The electrode is ready to reinstall in the cell

Flattening a metal working electrode

Metal working electrodes may require a more thorough flattening step as some specific conditions result in the consumption of the wetted material. For metal working electrode disks of the FlexCell type, there is a dedicated flattening and polishing kit available (not standard provided with a FlexCell). The (re)ordering information is:



Flattening/polishing kit for metal WE (p/n 250.1045)

This is a tailor-made kit consists of a three-stage flattening-polishing procedure:

- [1] Flattening step on coarse plate with 30 um coarseness
- [2] Flattening step on fine plate with 12 um coarseness
- [3] Polishing step on polishing plate with fine diamond slurry

This procedure enables the user to restore the metal WE surface to a mirror-like shine in a reproducible way. Detailed used instructions are provided with the kit.

HyREF & ISAAC reference electrodes

The HyREF and ISAAC reference electrode are in principle maintenance free. If not in use they should be stored dry after disassembling the flow cell.

Salt bridge Ag/AgCl reference electrode



The REF is factory filled with saturated KCl solution. The salt bridge should be refilled with other saturated solutions of chloride salts when the mobile phase contains perchlorate (use NaCl) or a high percentage of organic modifier (use LiCl).



Check the sb REF regularly. If you do not see chloride salt crystals or if you see air bubbles in the body, it needs to be opened and refilled.

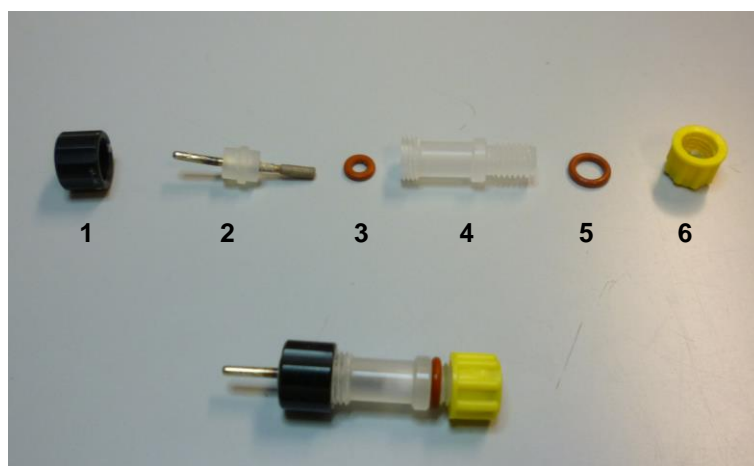


Fig. 9. Salt bridge Ag/AgCl reference electrode, assembled (bottom) and disassembled (top). The yellow cap prevents drying out of the cotton frit that is mounted in the tip of the body. See Table III for numbers and descriptions.

Table III. Salt bridge Ag/AgCl reference electrode parts in Fig. 9.

nr	Description	Pn.
1	sb REF swivel	110.1034
2	sb REF Ag/AgCl electrode	110.1330
3	sb REF silicon O-ring small	110.0502A
4	sb REF body	110.1030
5	sb REF silicon O-ring large	110.0500A
6	sb REF sealing cap	110.1036
-	sb REF (complete)	110.1300

Salt bridge Ag/AgCl reference electrode check

For proper functioning, the salt bridge reference electrode should have crystals inside the body (to ensure a saturated solution), no air bubbles inside the body, and a permeable wet cotton fit in the body tip:

Visually inspect the presence of crystals inside the REF

After prolonged use the salt bridge in the REF body will not be saturated any more, which usually leads to a poor reproducibility in electrochemical detection. If the salt bridge is not saturated and the KCl concentration decreases:

1. the noise in the system will slowly but continuously increase,

2. the background current will increase,
3. sensitivity for movements and pump noise will increase.

Wet crystals can be visible as a transparent deposition in the body. Holding the REF upside down makes the crystals better visible, as the deposition will move downward through the REF body.

Visually inspect the absence of air bubbles inside the REF

If an air bubble is trapped in the salt bridge or in the cotton plug that separates the reference electrode from the mobile phase, the flow cell becomes extremely sensitive towards flow fluctuations and vibrations. This is caused by the high compressibility of the trapped air.

Air bubbles can be visible as a transparent round deposition on the REF body walls, or trapped under the top. Shaking and holding the REF upside down makes the air bubble better visible, as it will visibly move upward through the REF.

Visually inspect the permeability of the salt bridge cotton frit

During storage, the frit can dry out despite having capped it. To check if the frit is still wet, remove the cap and tighten the black swivel of the REF a little bit extra. This should result in a small droplet appearing from the frit. If the frit is dried out it needs to be replaced.

Refilling a salt bridge Ag/AgCl reference electrode

In case the salt bridge Ag/AgCl electrode needs refilling (air bubble or lack of crystals inside the body), the following materials are necessary (for sb filled with KCl):

- Small plastic pipette
 - Potassium chloride
 - 30ml KCl solution sat'd, with AgCl (pn. 250.2004), which is shipped with every flow cell that contains a salt bridge
1. Unscrew the black swivel from the body (Fig. 9).
 2. Remove the Ag/AgCl electrode and small O-ring.
 3. In case of air bubble: remove it with the small plastic pipette
 4. Using the pipette, take some wet small crystals from the bottom of the saturated KCl solution (or add some first if they are finished or clumped), and add to the body. Do not add too many, as the electrode needs space as well.

5. Completely fill up the body with saturated KCl solution
6. Place the O-ring on top of the open body
7. Insert the electrode, making sure not to trap air under the cap. It may be necessary to wiggle the electrode to accommodate it between the crystals.
8. Screw the black swivel back on the body, thus securing the electrode inside. Check that a drop of solution comes out of the cotton frit when tightening the swivel.
9. Visually inspect the REF for trapped air bubbles and remove them if present (go back to step 1).
10. Cap the salt bridge until use to prevent drying out of the cotton frit.

If the cotton frit is dried out or discoloured, it needs to be replaced:

Refritting a salt bridge Ag/AgCl reference electrode

In case the cotton frit of the salt bridge Ag/AgCl electrode needs replacement, the following materials are necessary:

- small glass plate
- sb REF tool (pn. 250.1035), or 5 cm rod with 1 mm diameter
- sb REF replacement cotton wool (pn. 110.10420), or ordinary cotton wool, soaked in saturated KCl solution
- 30ml KCl solution sat'd, with AgCl (pn. 250.2004), which is shipped with every flow cell that contains a salt bridge

Removing the cotton wool frit

1. Unscrew the black swivel from the body (Fig. 9).
2. Remove the Ag/AgCl electrode and small O-ring.
3. Place the open body with frit facing upward on a glass plate (Fig. 10).
4. Use the narrow end of the sb REF tool or a rod of ± 1 mm (0.039 inch) to push out the frit from the outside inward. Be careful not to damage the frit constriction in the tip of the body (Fig. 10). If the frit is dried out and giving too much resistance, soak it overnight in a beaker with demineralised water before trying again.

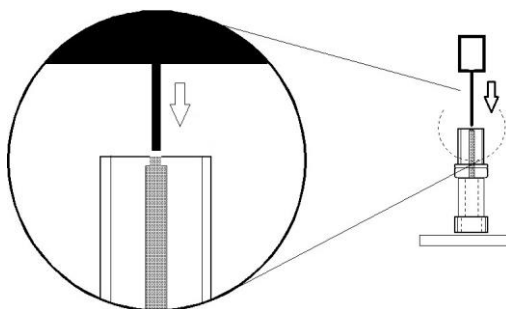


Fig. 10. Pushing the cotton wool frit out with the sb REF tool.

5. Clean all parts with demi-water.

Inserting a new cotton wool frit

1. Place the salt bridge with the frit-hole downwards on a glass plate and add a few drops of saturated KCl solution
2. Pull a small plug of wetted cotton wool into a thin string (for example using 2 tweezers)
3. Place one end of the cotton string into the body, and using the sb REF tool, push the wool piece by piece from above through the KCl solution into the frit channel.
4. While holding the body on the glass plate, compress the cotton firmly. Make sure not to push the cotton out of the body through the narrow end.

The REF is now ready to be refilled (see previous section).

Assembly of the flow cell



The surface of the inlet block, working electrode and spacer should be dry when assembling the flow cell. Unnecessary moisture inside or outside the flow cell will increase the noise level considerably.

1. Take the working electrode disk and press it in its silicone holder. Try not to touch the active middle surface.
2. Clean fingerprints off the spacer, the AUX and WE surface using a tissue wetted with acetone.
3. Place the spacer on the inlet block, with the two holes over the two pins.
4. Screw the retaining ring on the inlet block.



To prevent the spacer from slipping off the pins, keep the flow cell oriented as illustrated in Fig. 11 while mounting the retaining ring and WE assembly.

5. Install the working electrode assembly and check that the groove in the assembly aligns with the internal pin (which prevents it from turning).
6. Fix the assembly in the cell body with the electrode swivel nut. Do not apply too much force; finger tight should be enough force to make a leak-free seal between the WE, inlet block and spacer.

The flow cell is ready for connection to the LC system (page 18).

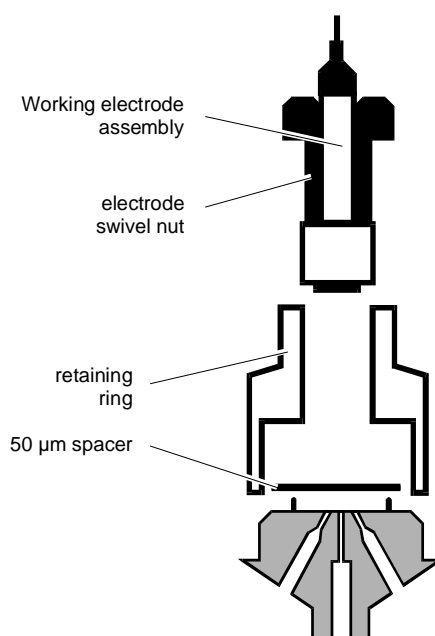


Fig. 11. Assembling the flow cell: first fit the spacer and the retaining ring, then insert the WE assembly and secure with the electrode swivel nut.

Storage

If the flow cell is not in use and uncoupled from the LC system, we recommend that you disassemble the cell and clean and dry all surfaces.



Before flushing the LC system and uncoupling the cell from the detector, turn off the cell first.

CHAPTER 5

Specifications

Cell type	Three electrode, thin-layer flow cell
Cell volume	approx. 0.7 μ L (50 μ m spacer),
Spacers	50 μ m or 130 μ m
Working electrode diameter	8 mm
Working electrode area (wetted)	15 mm ²
Working electrodes (WE)	Glassy carbon (GC), gold (Au), Boron Doped Diamond (BDD), platinum (Pt), silver (Ag), copper (Cu)
Reference electrode	HyREF™ (Pd/H ₂), Ag/AgCl
Auxiliary electrode	Carbon-loaded PTFE
Wetted materials	PCTFE, FEP, palladium, carbon-loaded PTFE, WE material (Au, Pt, GC, BDD, Ag, or Cu)
Flow rate	Typically 0.05 – 1.5 mL/min
Max. back-pressure in cell	40 psi / 2.8 bar
Fluidic connections	1/16" o.d. PEEK tubing, with 10-32 PTCFE fingertight connectors
Electric connections	Cell cable for use with DECADE Elite/Lite electrical detector

CHAPTER 6

Part list

In the table below parts and spare parts are listed for the FlexCell:

p/n	Description
<i>FlexCell parts</i>	
102.2205	FlexCell inlet block (carbon loaded PTFE)
102.2209	Cell housing PEEK
102.0912	WE holder assembly for FlexCell
102.2217	Spacer for FlexCell cell, 50 μm
102.2218	Spacer for FlexCell cell, 130 μm
102.2211	Electrode swivel nut
<i>Reference electrodes</i>	
102.0913	HyREF for FlexCell
110.1300	sb REF
102.0914	ISAAC for FlexCell
<i>Working electrodes</i>	
102.5007	WE disc GC
102.5022	WE disc Pt
102.5027	WE disc Au
102.5032	WE disc Ag
102.5037	WE disc Cu
102.5050	WE disc BDD
<i>Parts for polishing/flattening</i>	
250.1025	polishing disc (for WE)
250.1030	10 mL diamond slurry 1 μm
250.1045	flattening/polishing kit for metal WE
<i>Parts for reference electrode maintenance</i>	
250.2004	30ml KCl solution sat'd, with AgCl
250.1035	Sb REF replacement tool
<i>Connectors for LC tubing</i>	
250.1571A	fingertight fitting PCTFE 10-32, 4 pcs